

2019

QUALLIX
PROFESSIONAL LIGHT COMPONENTS

ALASKA EVO

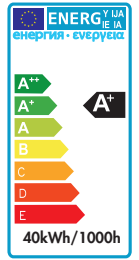
QUALIKO^{srl}
PROFESSIONAL LIGHT COMPONENTS



Lampioni LED • LED Street Lights

ALASKA EVO Lampioni LED • LED street lights

QUALIKO_{sr}



CE EMC IP67 RoHS

Type	Part N°	Dimensions (mm)	Weight kg	Input (V)	Flux (Lm)	°Kelvin	Power (W max)	Surge protection	Pole Ø (mm)	Packing box dimensions (mm)	Packing box Weight (kg)
ALASKA EVO 40	BLT107EVO40G	414X125x90h	1,9	100±240	5152 Lm	4000°	40	15KV	45±67	460x230x140	2,3

LED street light

- Lampione stradale a Led asse orizzontale
- Power factor >0,95
- Involucro IP67 verniciato con epossidica grigia
- Temperatura ambiente operativa -40°C ÷ +50°C

LED street light

- Led street light horizontal axis
- Power factor >0,95- IP67 case and epoxy grey painting
- Working range: -40°C ÷ +50°C

Street light LED

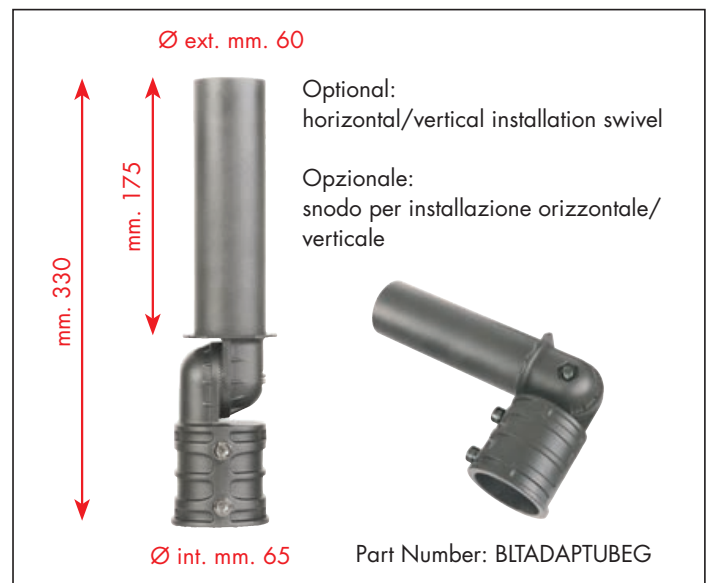
- Led Straßenleuchte auf horizontale Achse
- Leistungsfaktor: >0,95
- Graue Epoxy-Lackierung – IP67
- Betriebstemperatur: -40°C ÷ +50°C

LED street light

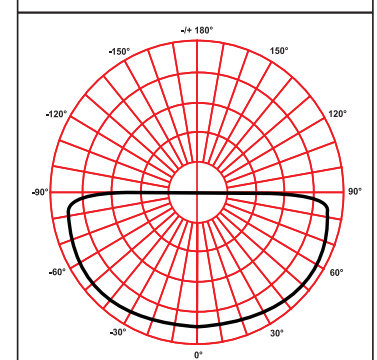
- Lampadaire à Led axe horizontal
- Facteur de puissance: >0,95
- Finition avec du vernis epoxy gris – IP67
- Température de fonctionnement: -40°C ÷ +50°C

LED street light

- Alumbrado public Led, eje horizontal
- Factor de potencia: >0,95
- Caja IP67 y pintura de epoxy gris
- Temperatura de funcionamiento: -40°C ÷ +50°C



Lens Type 2209

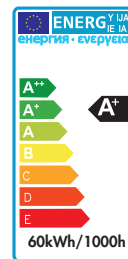


TEXAS EVO

QUALIKO^{srl}
PROFESSIONAL LIGHT COMPONENTS



Lampioni LED • LED Street Lights



Type	Part N°	Dimensions (mm)	Weight kg	Input (V)	Flux (Lm)	°Kelvin	Power (W max)	Surge protection	Pole Ø (mm)	Packing box dimensions (mm)	Packing box Weight (kg)
TEXAS EVO 60	BLT111EVO40G	435X190x80h	2,7	100±240	6483 Lm	4000°	60	15KV	57±63	490x260x150	3,30



LED street light

- Lampione stradale a Led asse orizzontale
- Power factor >0,95
- Involucro IP67 verniciato con epossidica grigia
- Temperatura ambiente operativa -40°C ÷ +50°C



LED street light

- Led street light horizontal axis
- Power factor >0,95- IP67 case and epoxy grey painting
- Working range: -40°C ÷ +50°C



Street light LED

- Led Straßenleuchte auf horizontale Achse
- Leistungsfaktor: >0,95
- Graue Epoxy-Lackierung – IP67
- Betriebstemperatur: -40°C ÷ +50°C



LED street light

- Lampadaire à Led axe horizontal
- Facteur de puissance: >0,95
- Finition avec du vernis epoxy gris – IP67
- Température de fonctionnement: -40°C ÷ +50°C



LED street light

- Alumbrado public Led, eje horizontal
- Factor de potencia: >0,95
- Caja IP67 y pintura de epoxy gris
- Temperatura de funcionamiento: -40°C ÷ +50°C

